

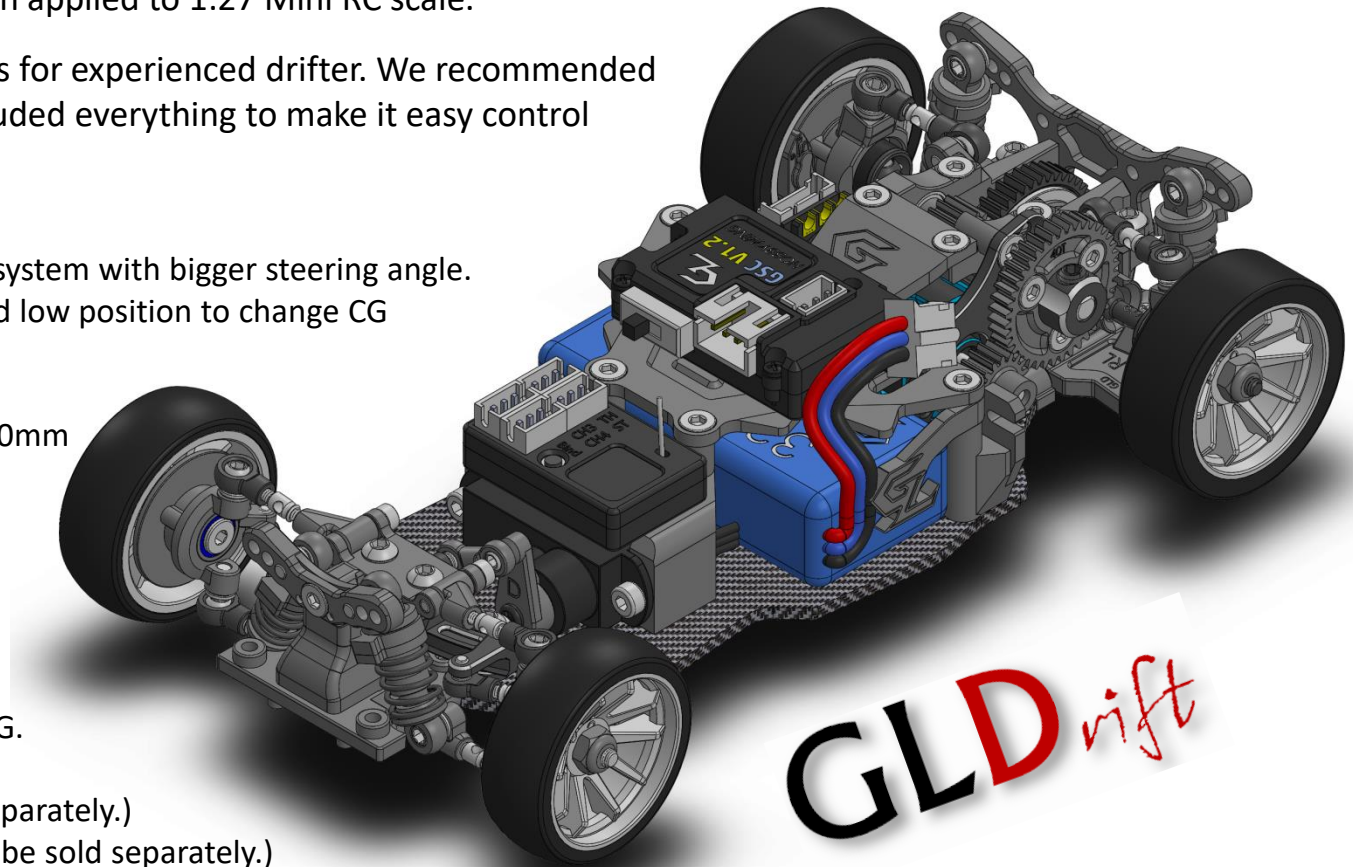
Thanks for purchasing of GL product and support to our team. We hope that you will enjoy the **GLD** *rift*

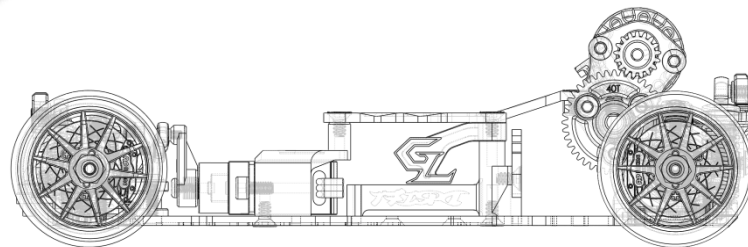
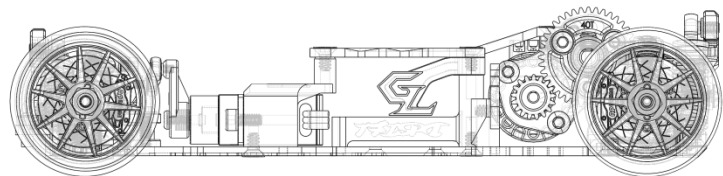
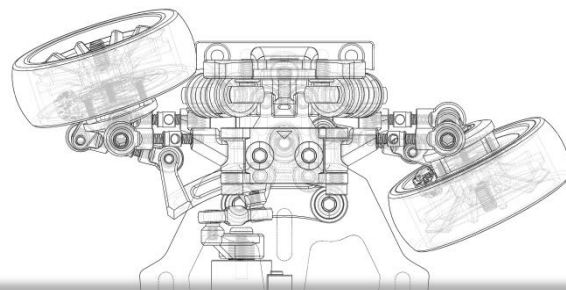
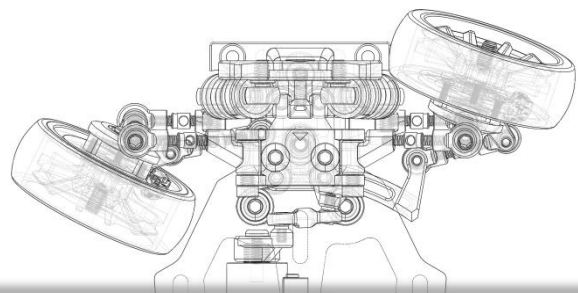
GL Racing has launched the new **RWD** drift chassis called GLD. It has a couple of features which applied to 1:27 Mini RC scale.

GLD is a high-end drift chassis for experienced drifter. We recommended it for aged 14+. We have included everything to make it easy control right out of the box.

The main features are:

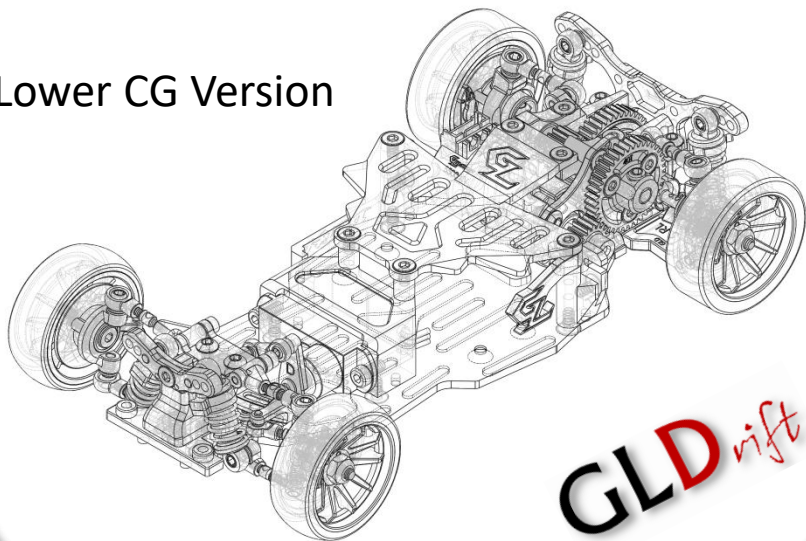
- 1, Aluminum slide rail steering system with bigger steering angle.
- 2, Motor mount switch high and low position to change CG for different driving style.
- 3, Standard wheel base 94mm.
(Option chassis board from 90mm to 106mm, 2mm per step.)
- 4, All turnbuckle on upper arm, lower arm and steering link.
- 5, High quality ball bearing.
- 6, Rear ball differential.
- 7, Brushless motor ESC.
- 8, Metal gear servo GL 003 DMG.
- 9, GL micro receiver (GX-033) is recommended (to be sold separately.)
- 10, Li-Po batteries powered (to be sold separately.)



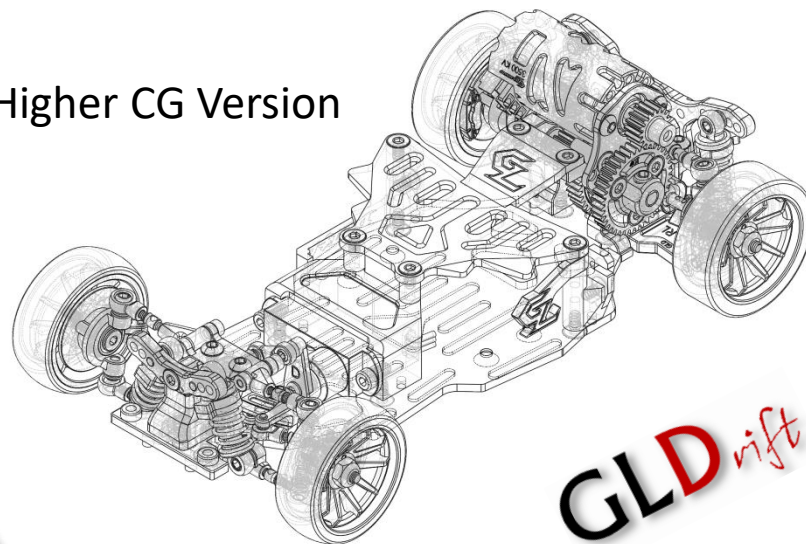


Lower CG Version

Higher CG Version



GLD *rift*



GLD *rift*

A Bag

A Bag - 1



A-1 x1



A-3 x1



A-4 x2



A-7 x2



A-8 x2



3.0 Ball Joint
(306514)
A-11 x4



A-2 x1



A-5 x1



A-6 x1



A-9 x1



A-10 x1



2.5 Ball Joint
(256014)
A-12 x2

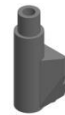
A Bag - 2



A-13 x1



A-15 x1



A-17 x1



A-19 x1



A-21 x1



A-14 x1



A-16 x1



A-18 x1



A-20 x1



A-22 x1

A Bag - 3



A-23 x1



A-24 x1



A-27 x1



A-28 x1



A-25 x1



A-26 x1



A-29 x4



(0° toe-in)
A-30 x1



A-31 x2

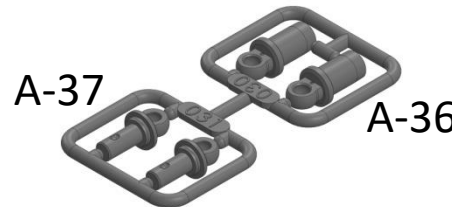
A Bag - 4



A-32 x1



A-34 x4



A-37

A-36



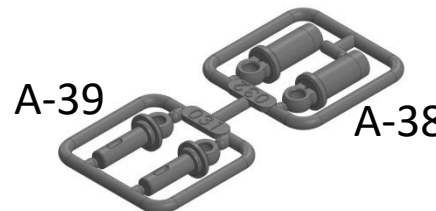
A-40 x2



A-33 x1



A-35 x4



A-39

A-38



A-41 x2

A Bag - 5



16T x1



17T x1



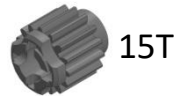
18T x1



19T x1

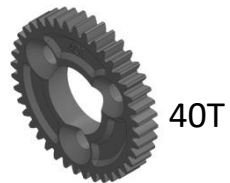


20T x1



15T

A-42 x1



40T

A-43 x1



GL-003-DMG x1

A Bag - 6



A-44 x1

C Bag - 12



GL Mini ESC x1



M1.6x3.0 PM x1

C Bag - 13



BE-3620 x8
3x6x2



BE-3625 x2
3x6x2.5



BE-60125 x2
6x10x2.5

B Bag

B Bag - 1



B-1 x1



B-2 x1



B-3 x1



45T
B-4 x1



B-5 x2



BE-3620 x1



2.381 Ball x10



BE-6208 x2



BE-2060 x1



O-Ring x1



B-6 x2



M2 x12 TM x1

B Bag - 2



B-7 x1



B-8 x1



B-9 x1



M2x2 TM x1



B-10 x1



B-11 x1



(8.0mm)
B-12 x2



M2x3 TM x1

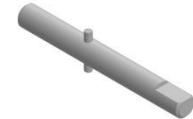


BE-2515 x3

B Bag - 3



B-13 x4



B-16 x1



B-14 x2



B-17 x2

















B-15 x2

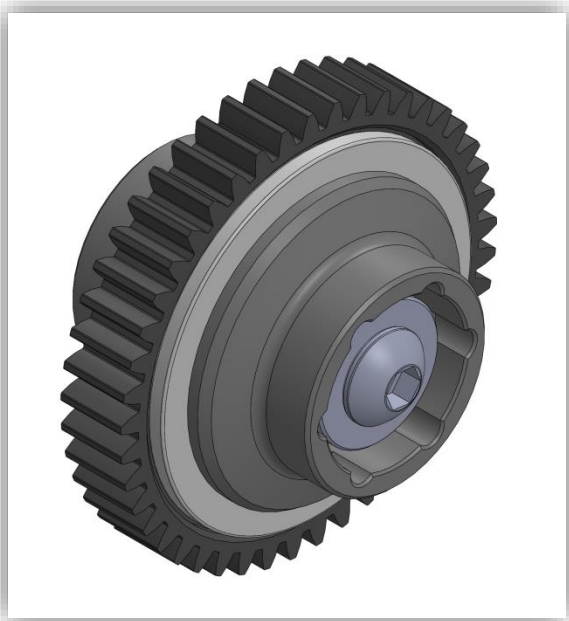
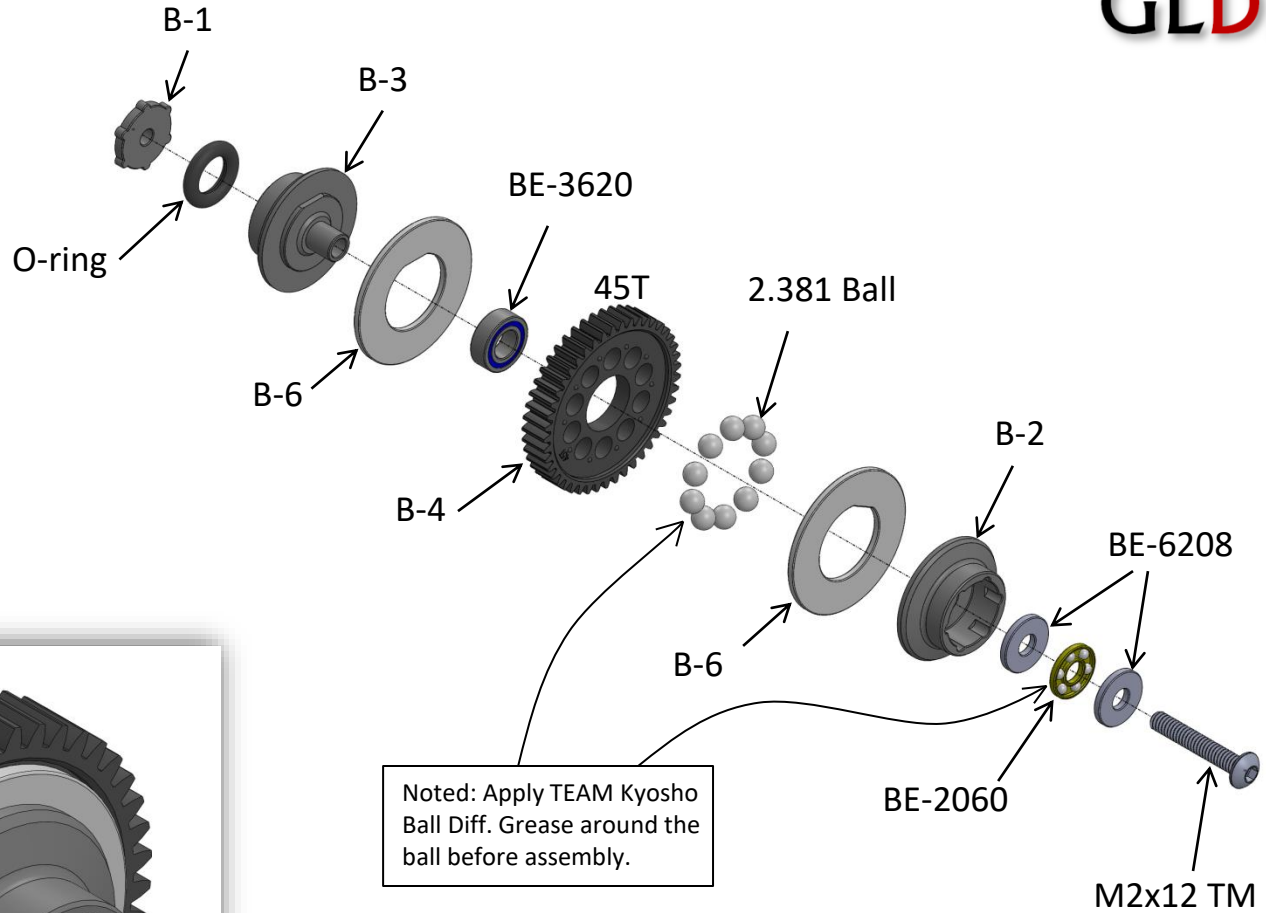





B-18 x8

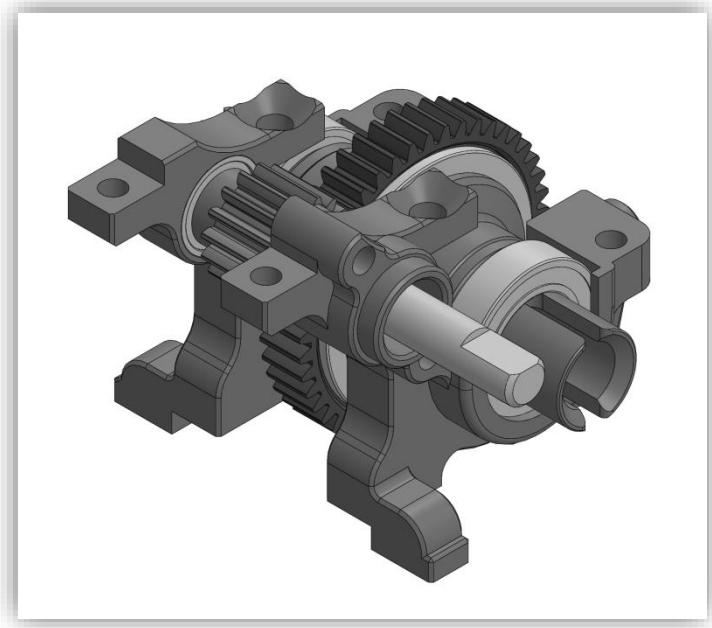
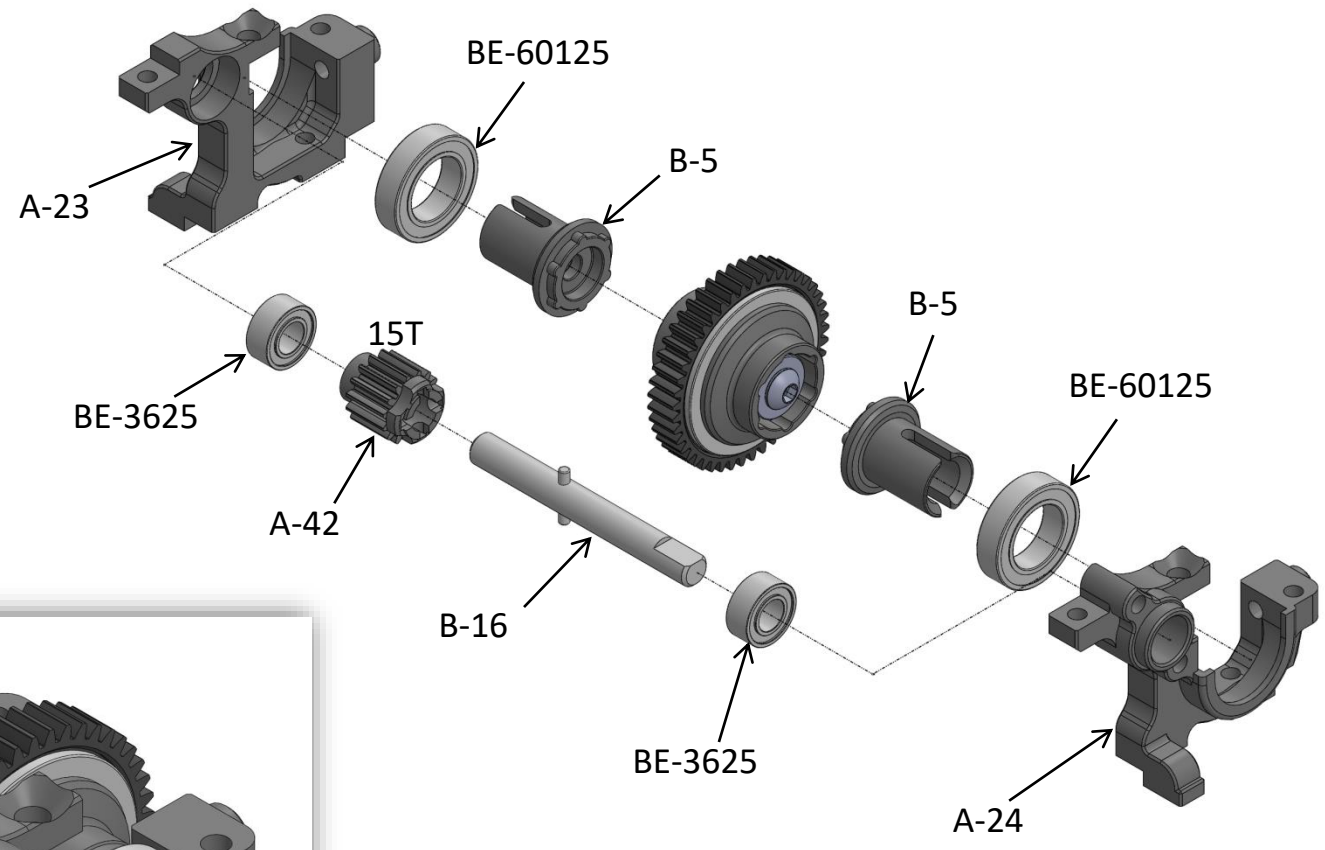
C Bag

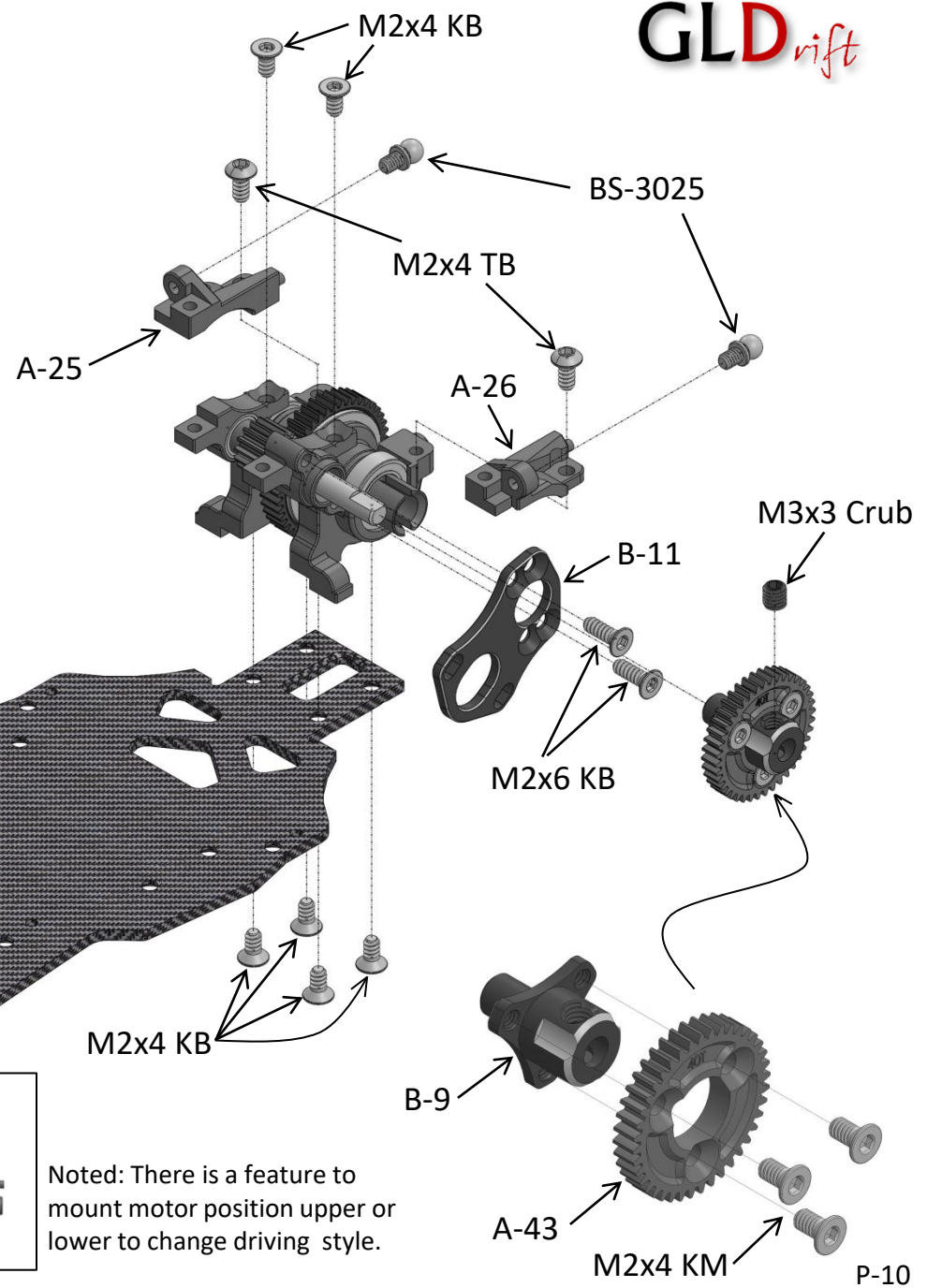
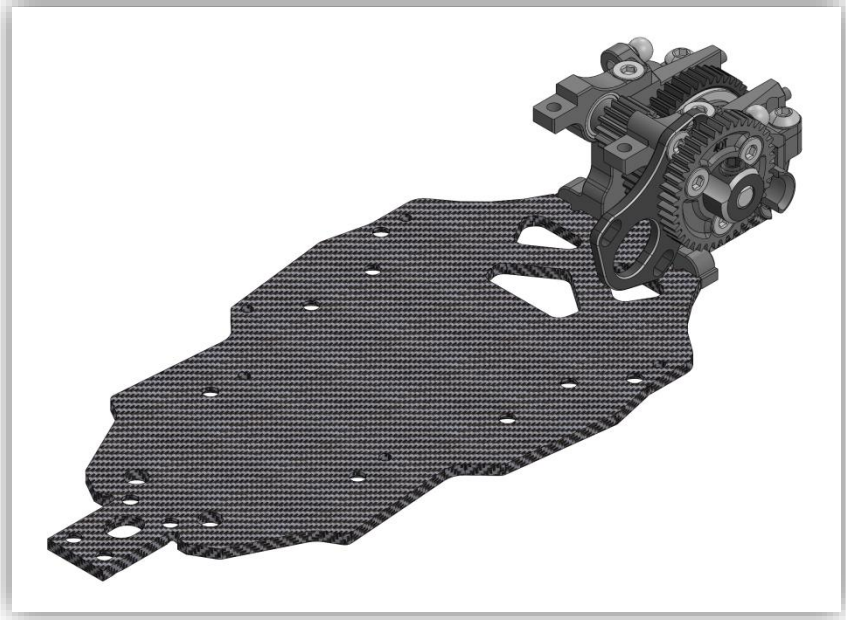
<p>C Bag - 1</p>  <p>BS-2502 x6</p>	<p>C Bag - 2</p>  <p>BS-3025 x16</p>	<p>C Bag - 3</p>  <p>M2x4 TM x2</p>	<p>C Bag - 4</p>  <p>M2x4 TB x7</p>	<p>C Bag - 5</p>  <p>M2x4 KB x22</p>
<p>C Bag - 6</p>  <p>M2x6 KB x5</p>	<p>C Bag - 7</p>  <p>M2x4 KM x3</p>	<p>C Bag - 8</p>  <p>M2x4 Cup Head x2</p>	<p>C Bag - 9</p>  <p>M1.2x4 PB x2</p>	<p>C Bag - 10</p>  <p>M1x2.5 PM x12</p>
<p>C Bag - 11</p>  <p>M3x3 Grub x1</p>				

-  B-6 x2
-  BE-6208 x2
-  2.381 Ball x10

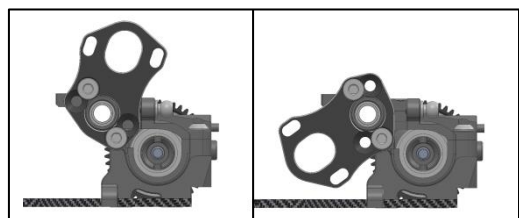


-  BE-3625 x2
(3x6x2.5)
-  BE-60125 x2
(6x10x2.5)
-  B-5 x2








-  M2x4 KB x6
-  M2x4 TB x2
-  M2x6 KB x2
-  M2x4 KM x3
-  BS-3025 x2





Noted: There is a feature to mount motor position upper or lower to change driving style.


 BS-3025 x2

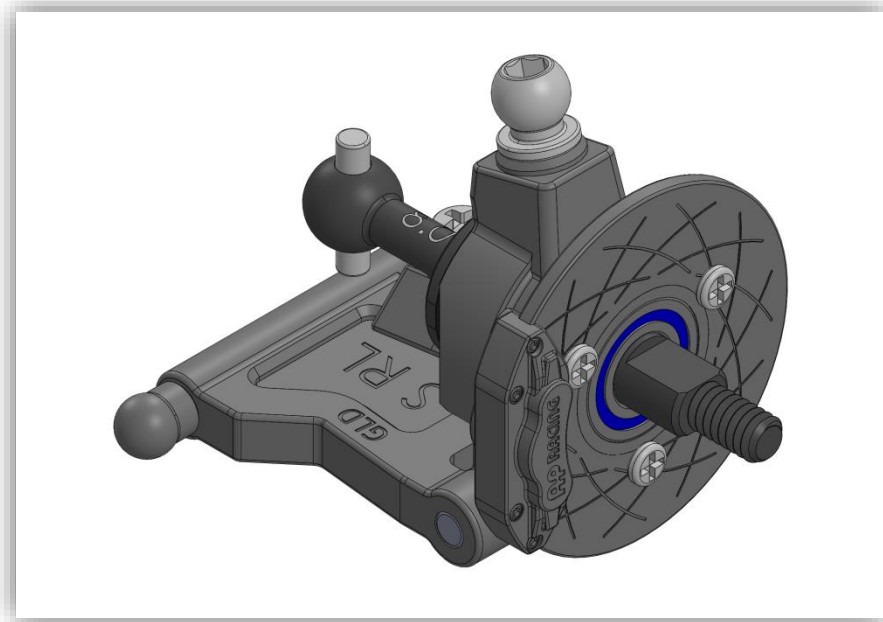
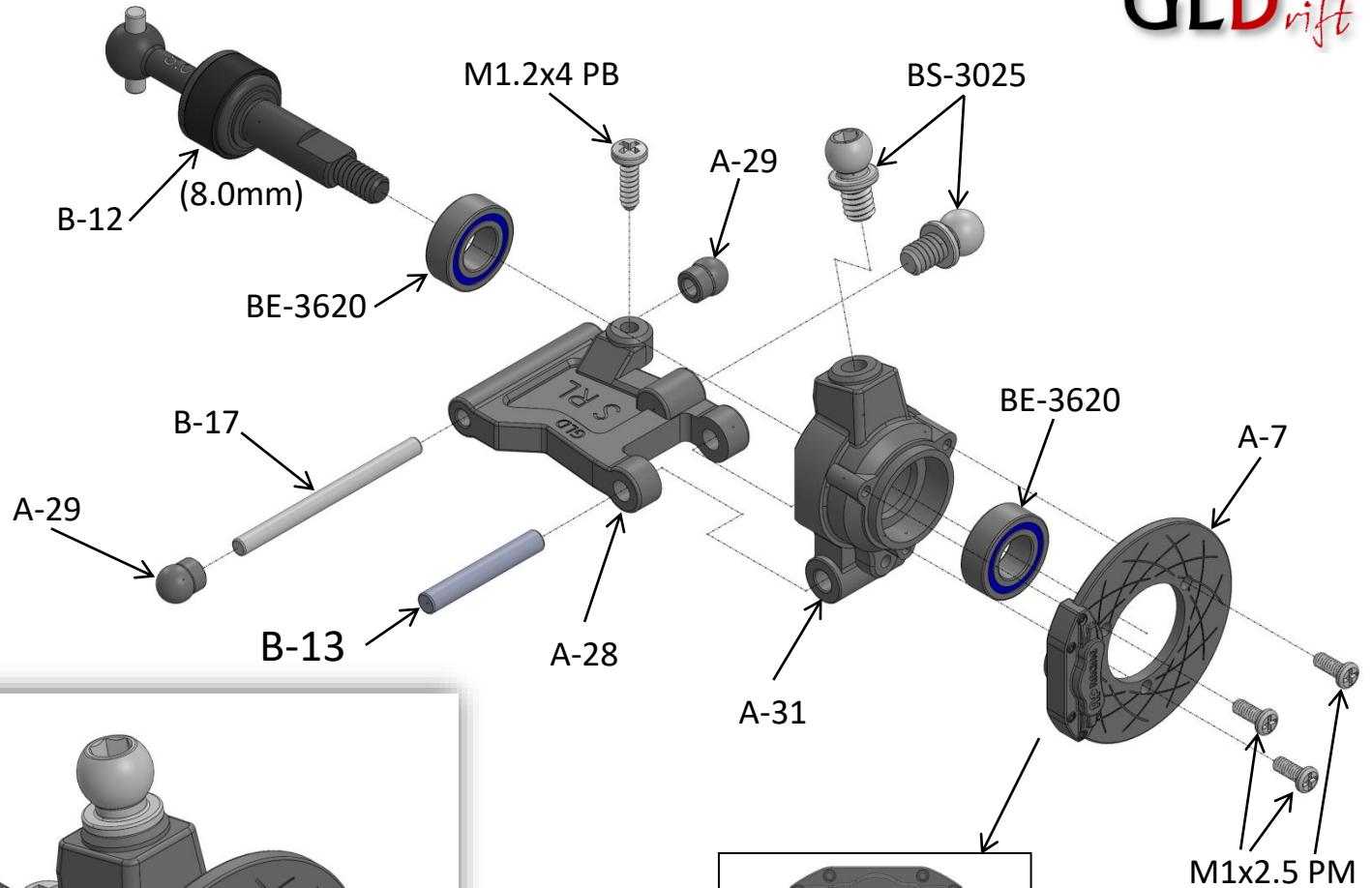
 BE-3620 x2
(3x6x2)

 A-29 x2

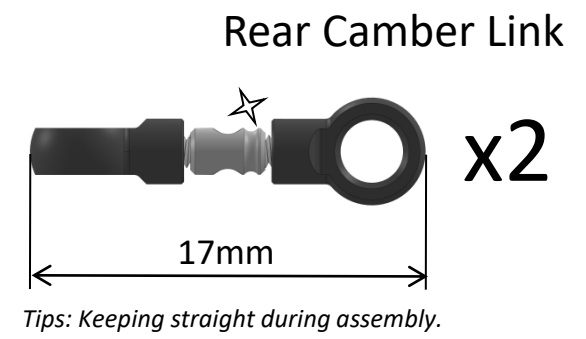
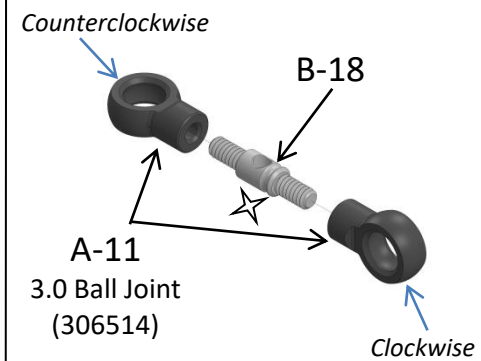
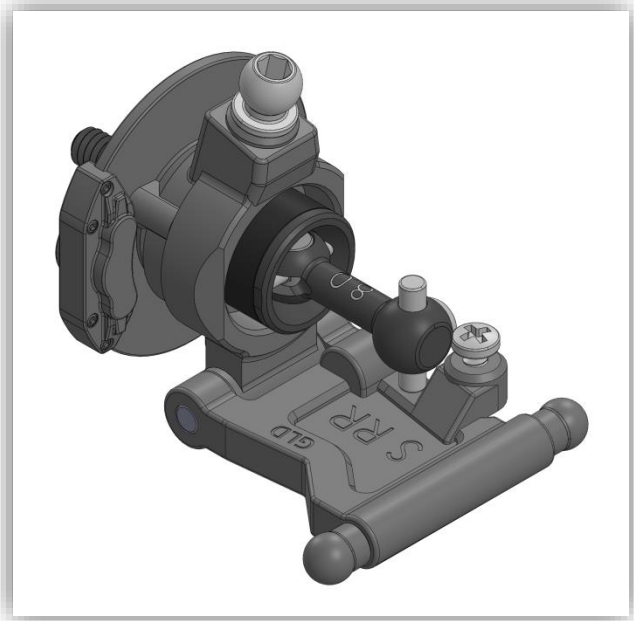
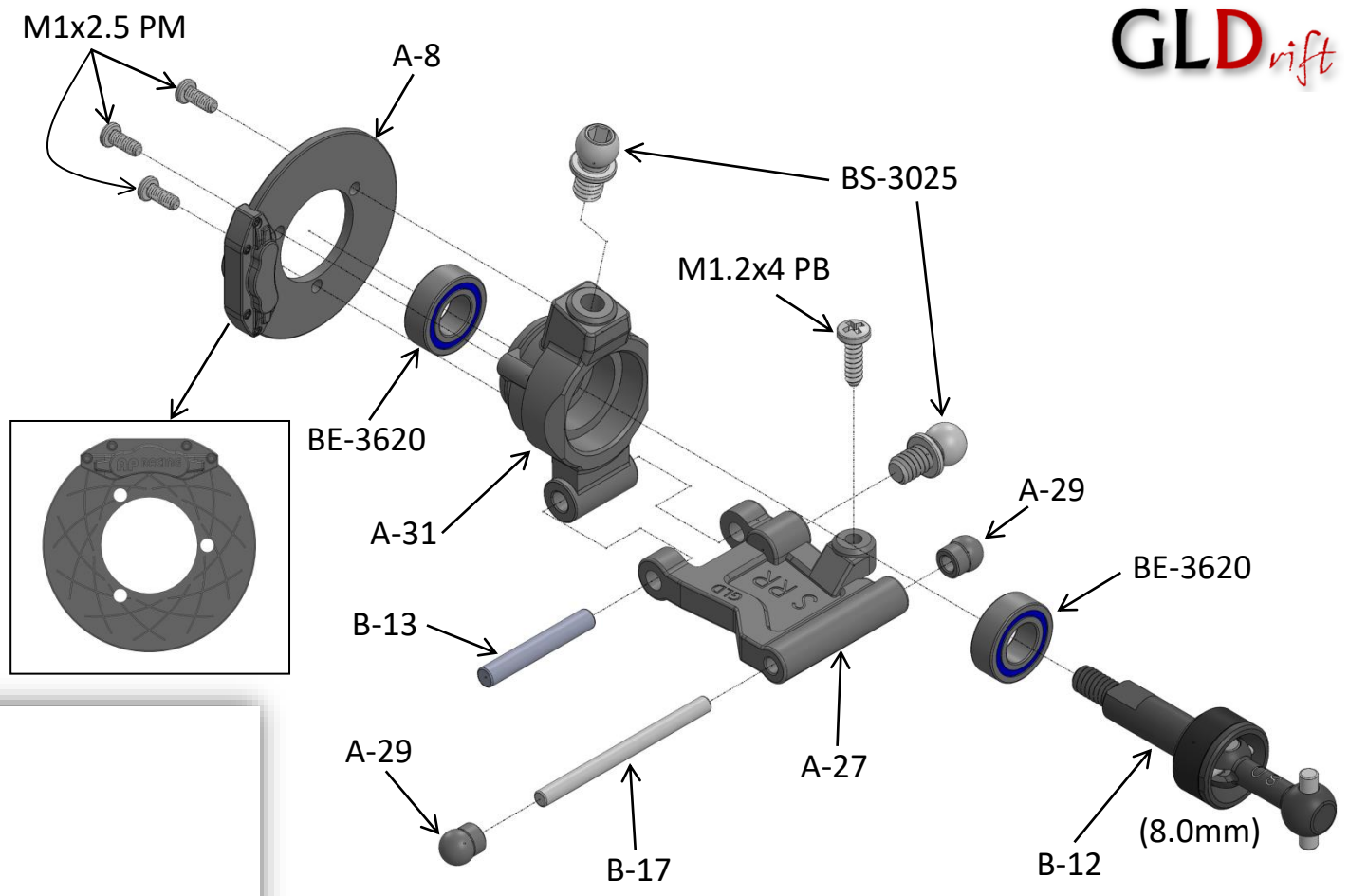
 M1x2.5 PM x3

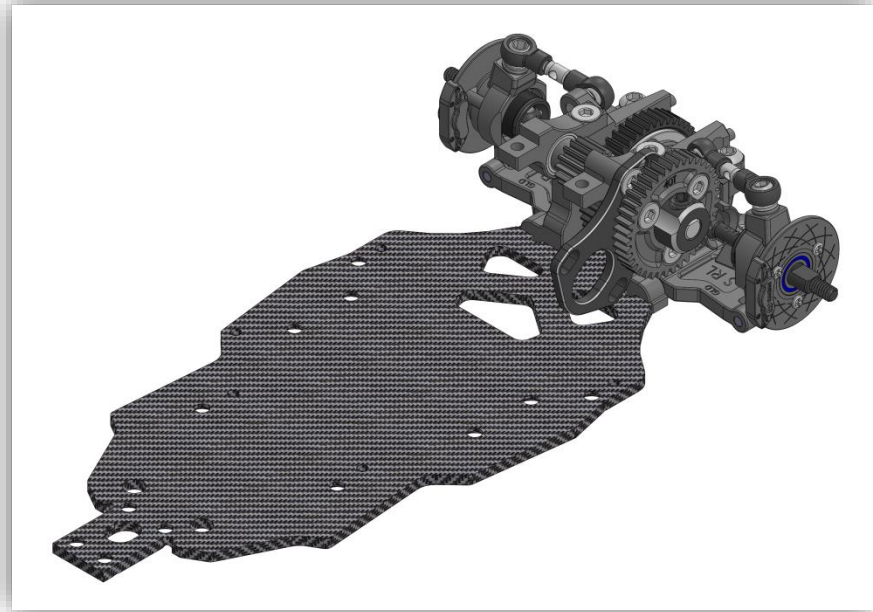
 B-13
($\varnothing 1.5 \times 10\text{mm}$)

 B-17
($\varnothing 1.2 \times 16\text{mm}$)

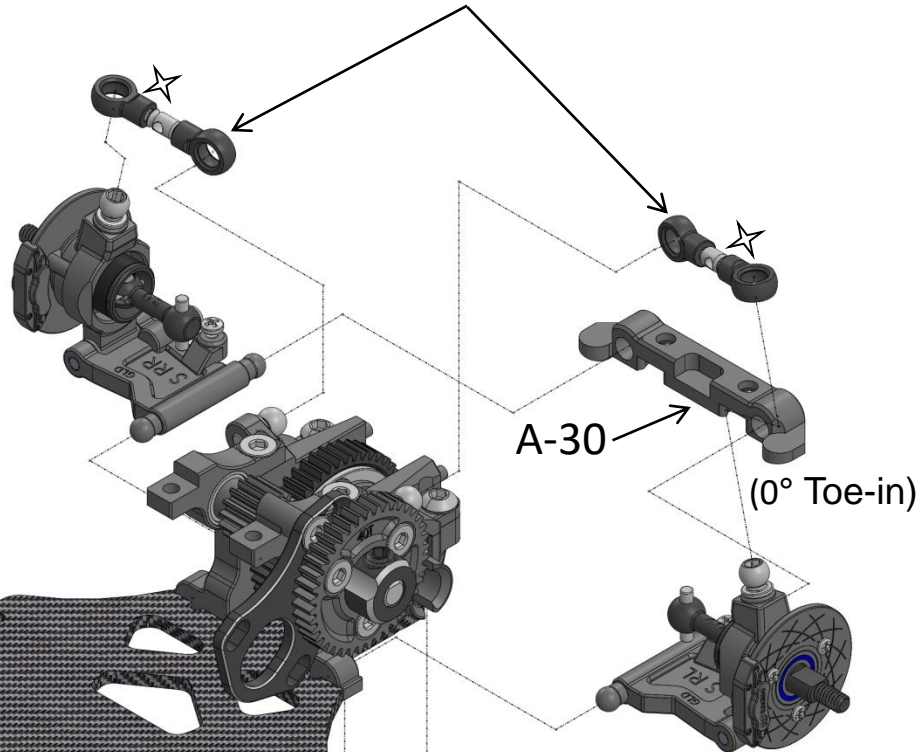


-  BS-3025 x2
-  BE-3620 x2
(3x6x2)
-  A-29 x2
-  M1x2.5 PM x3
-  B-13
(Ø1.5 x 10mm)
-  B-17
(Ø1.2 x 16mm)



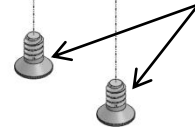






Rear Camber Link

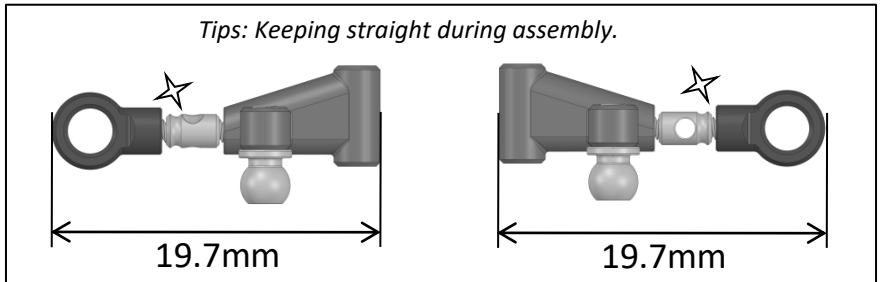
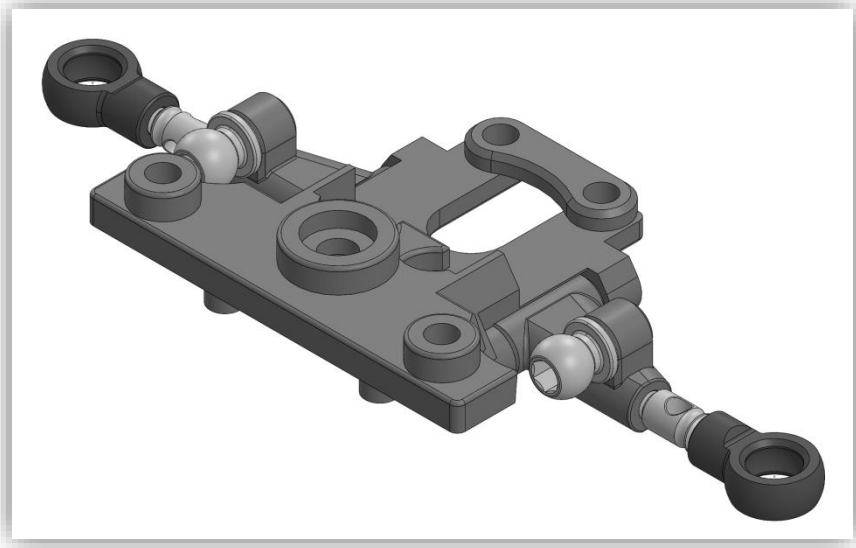
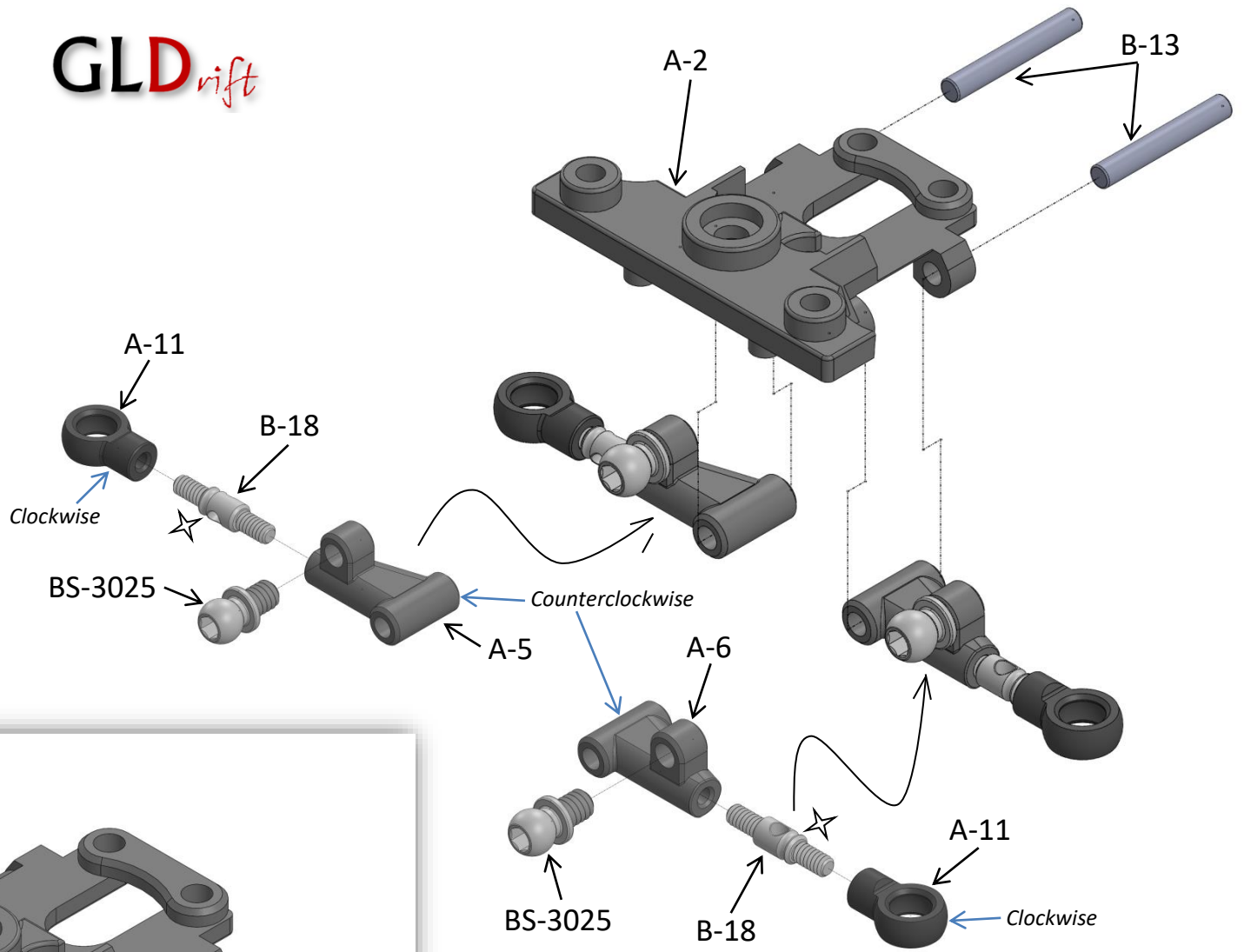


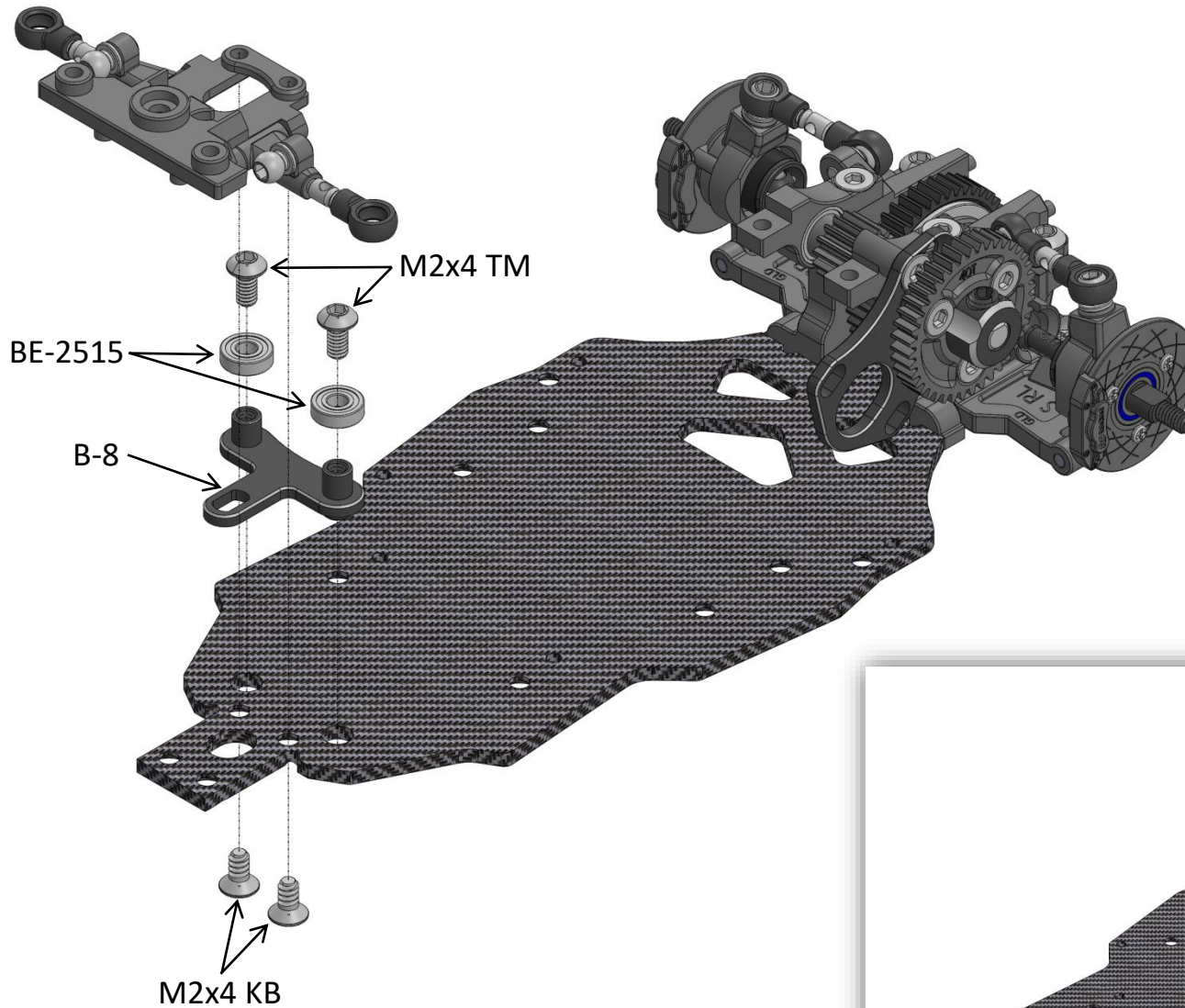
M2x4 KB x2


M2x4 KB

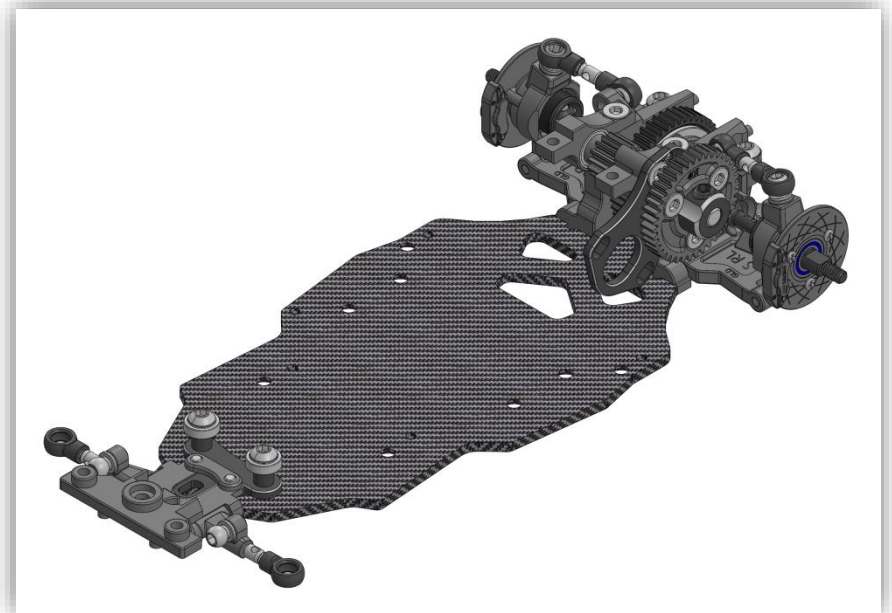


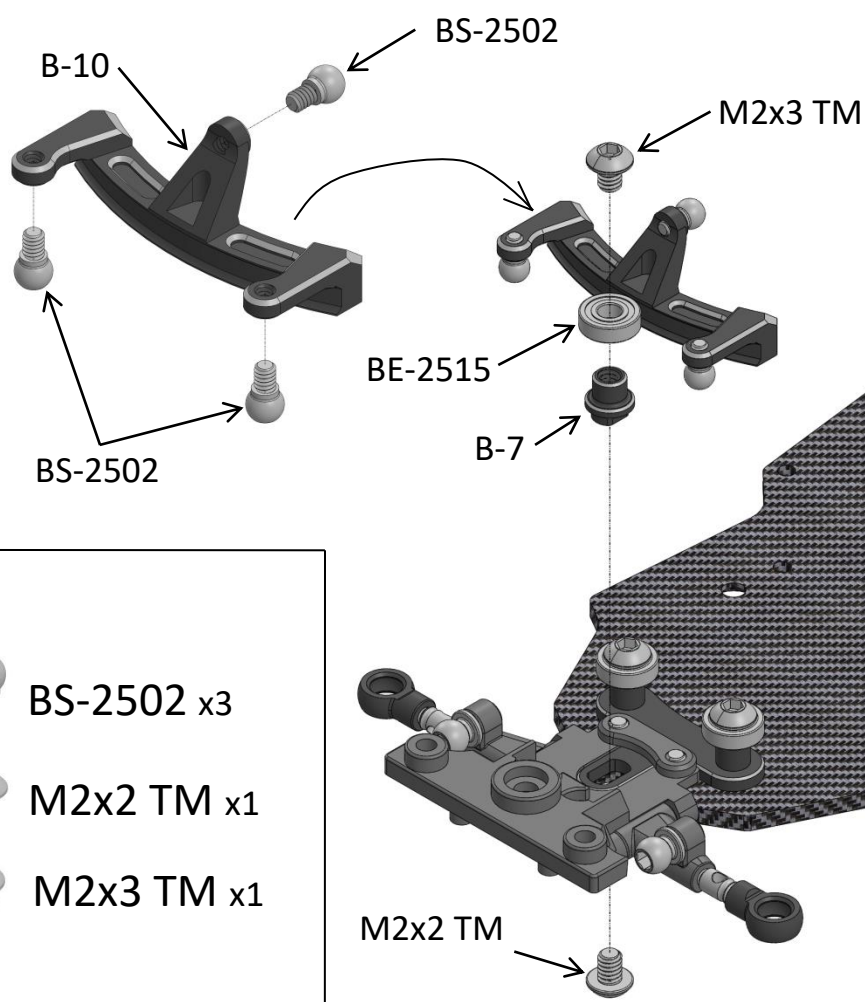
-  BS-3025 x2
-  B-13
(Ø1.5 x 10mm)
-  B-18 x2
-  A-11 x2
3.0 Ball Joint
(306514)






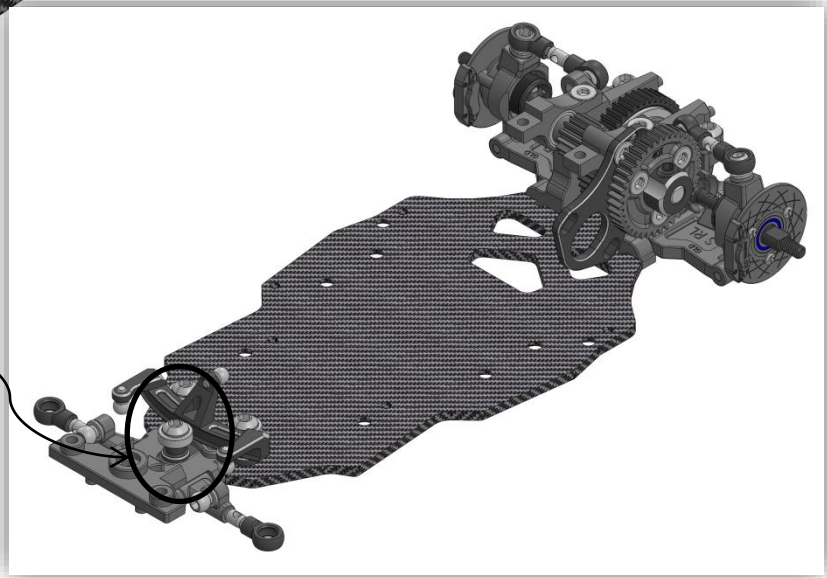


-  BE-2515 x2
(2x5x1.5)
-  M2x4 TM x2
-  M2x4 KB x2

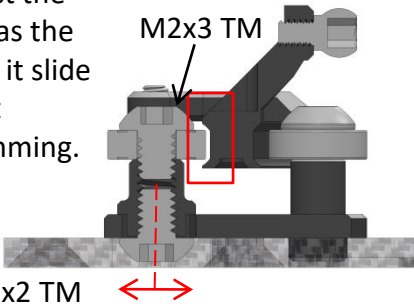




-  BS-2502 x3
-  M2x2 TM x1
-  M2x3 TM x1



Tips: Fine to adjust the BE-2515 as close as the steering rail to let it slide smoothly without waddling and jamming.



M2x3 TM

Adjust by M2x2 TM

M1x2.5 PM x6

B-18 x2

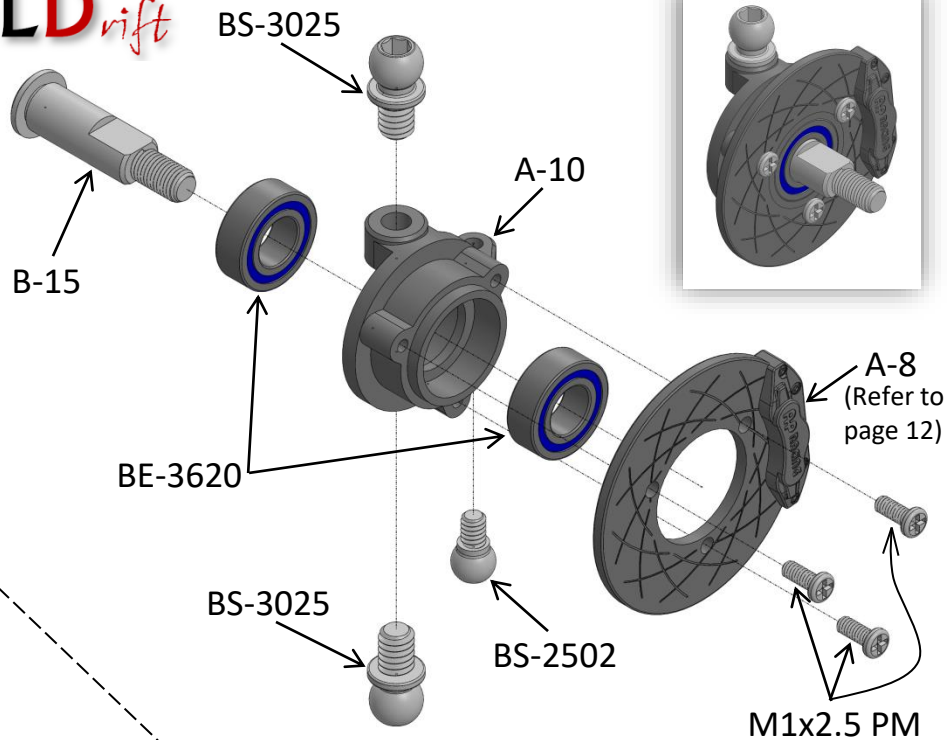
BS-3025 x4

B-15 x2

BS-2502 x2

A-12
2.5 Ball Joint
(256014)

BE-3620 x4
(3x6x2)



M1x2.5 PM

BS-3025

A-7
(Refer to page 11)

A-9

BS-3025

BS-2502

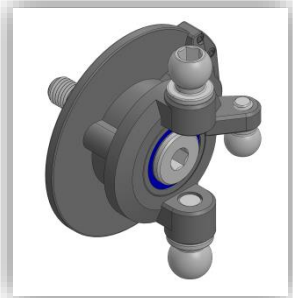
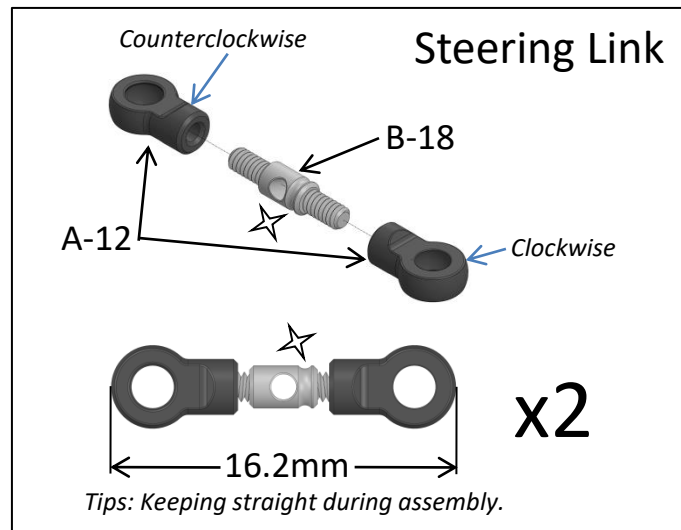
M1x2.5 PM

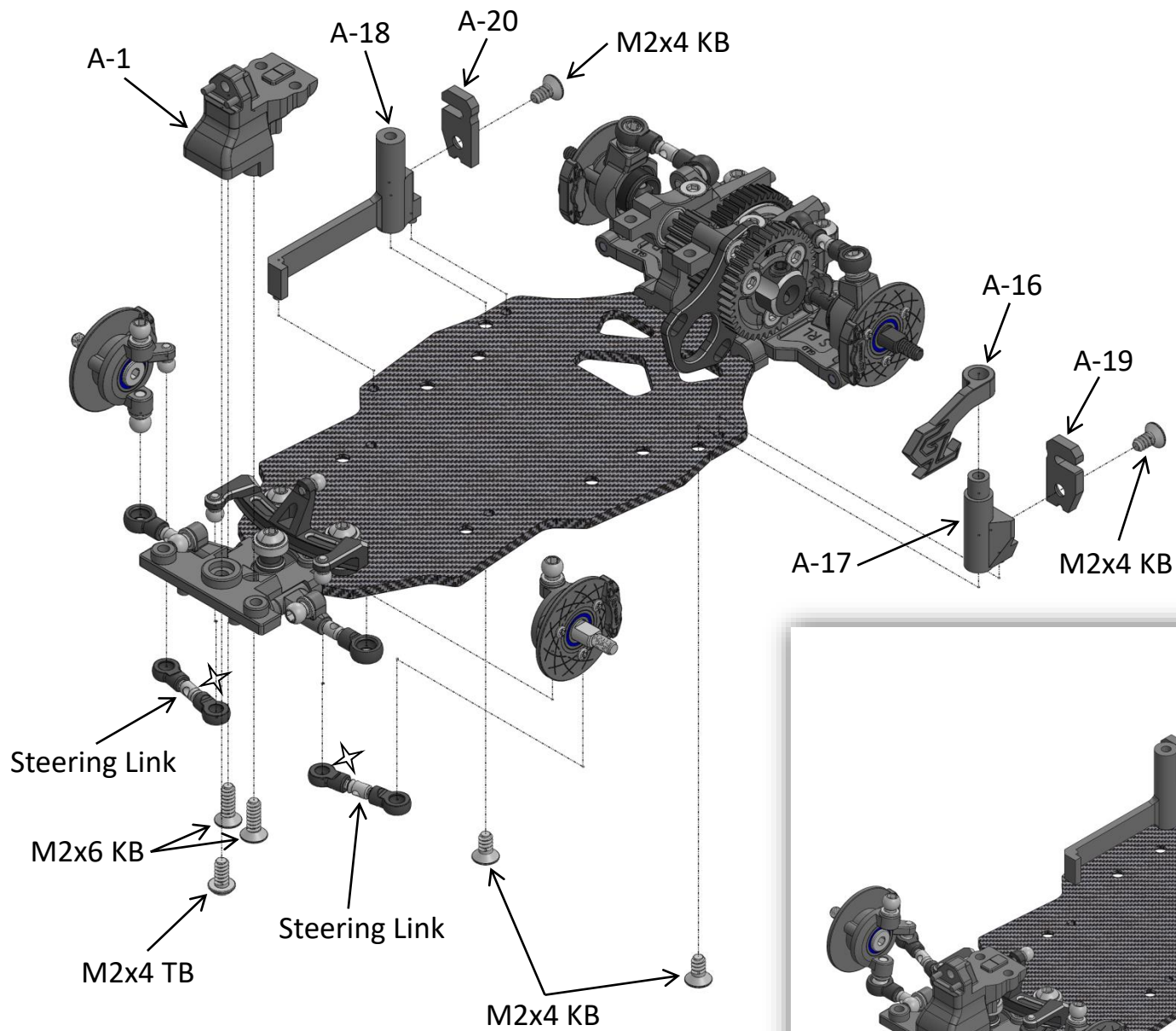
BE-3620



B-15

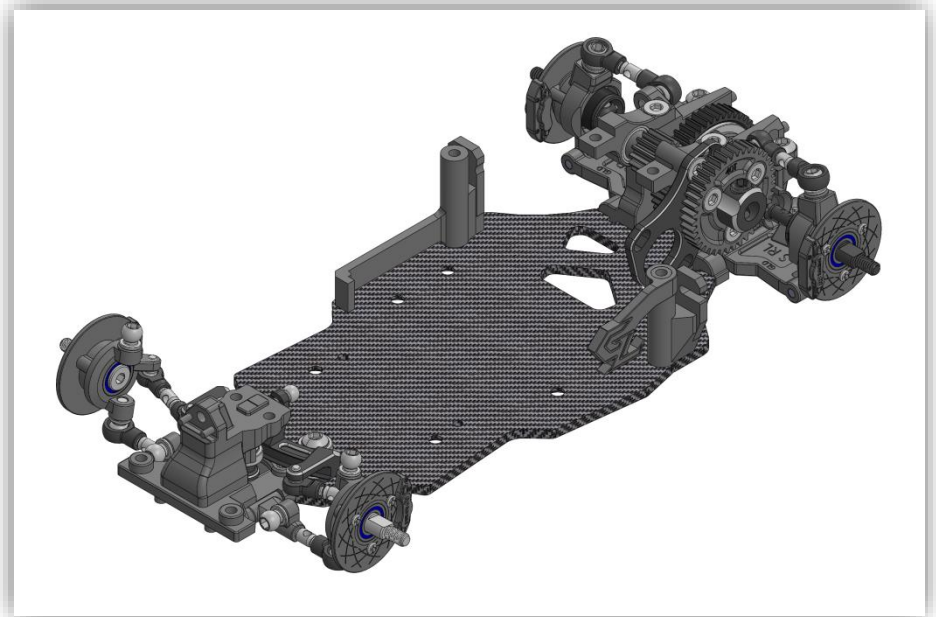
BS-2502


BS-3025







-  M2x6 KB x2
-  M2x4 KB x4



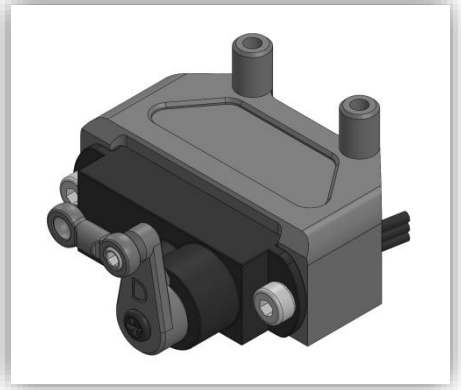
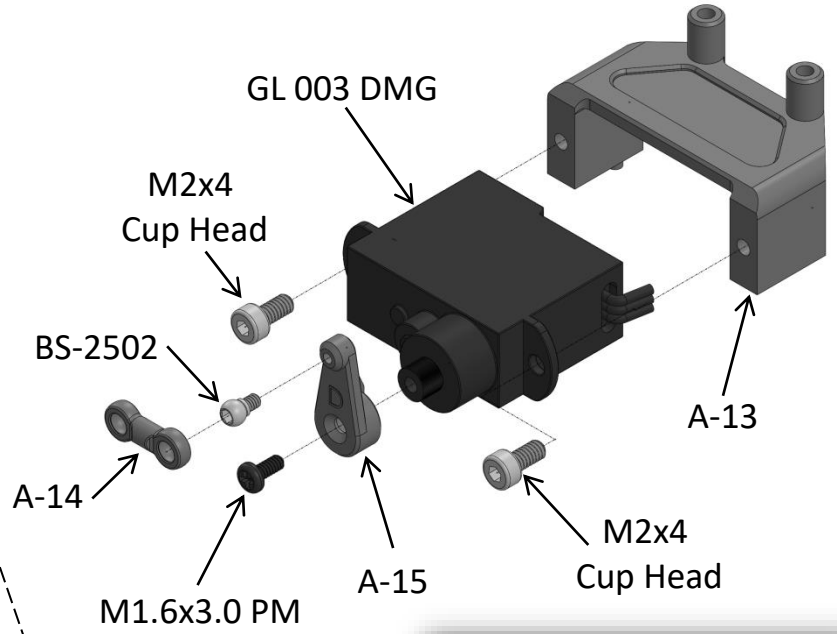
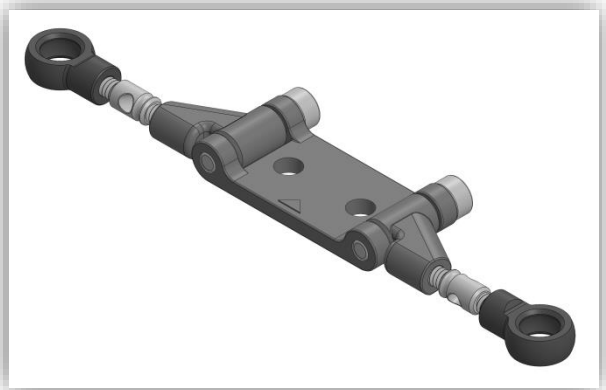
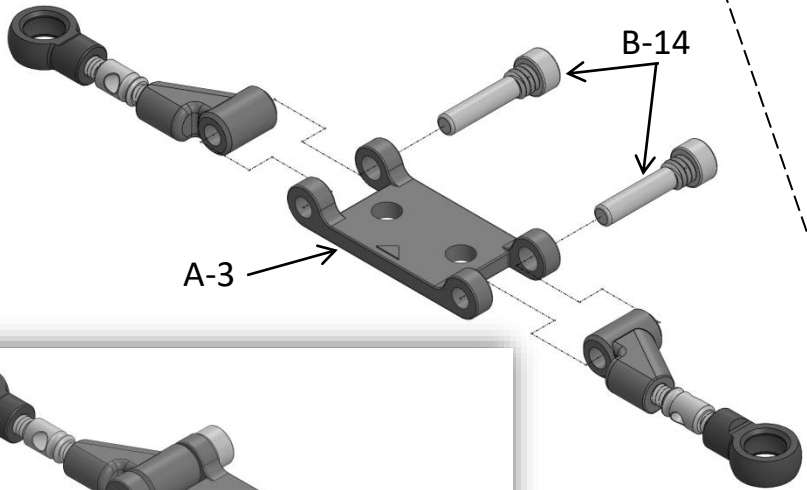
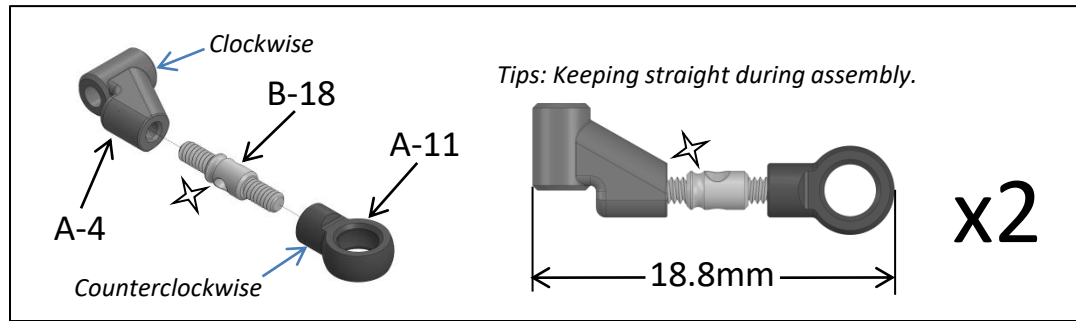
 B-18 x2


 B-14 x2


 A-4 x2


 A-11 x2
3.0 Ball Joint
(306514)


 M2x4 Cup Head x2



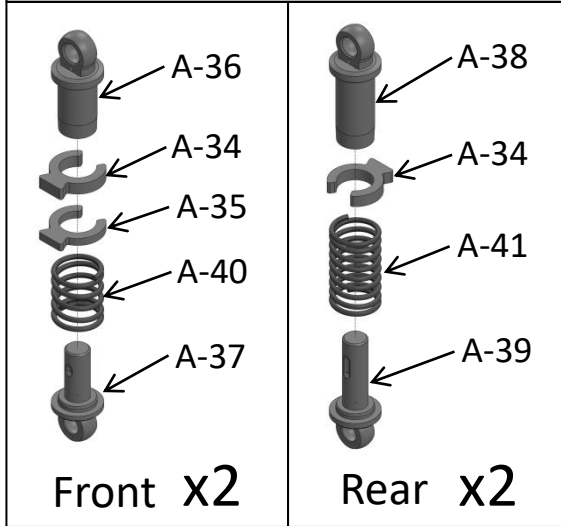
 M2x4 KB x8

 M2x4 TB x2

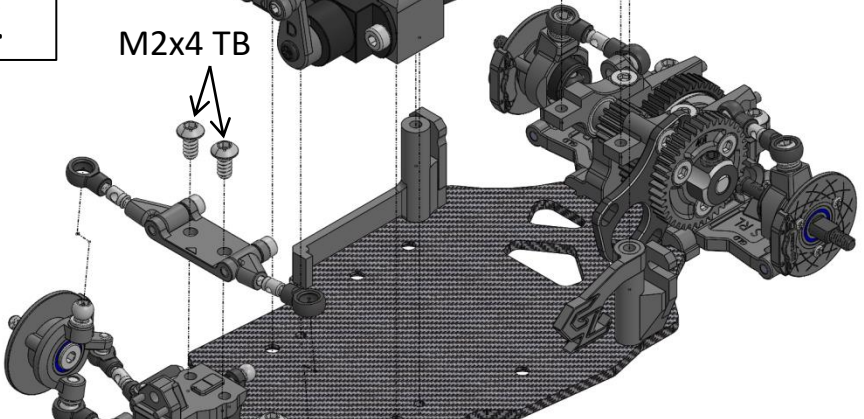
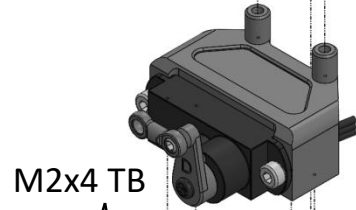
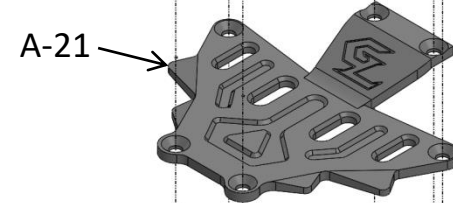
 A-40 x2
(Ø0.6xH7.5x5.5T)


 A-41 x2
(Ø0.6xH11x9T)

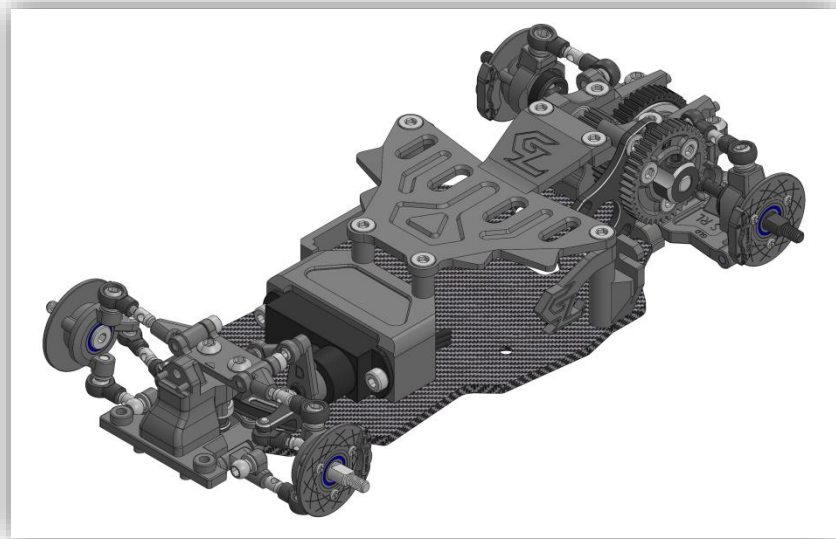
Damping System



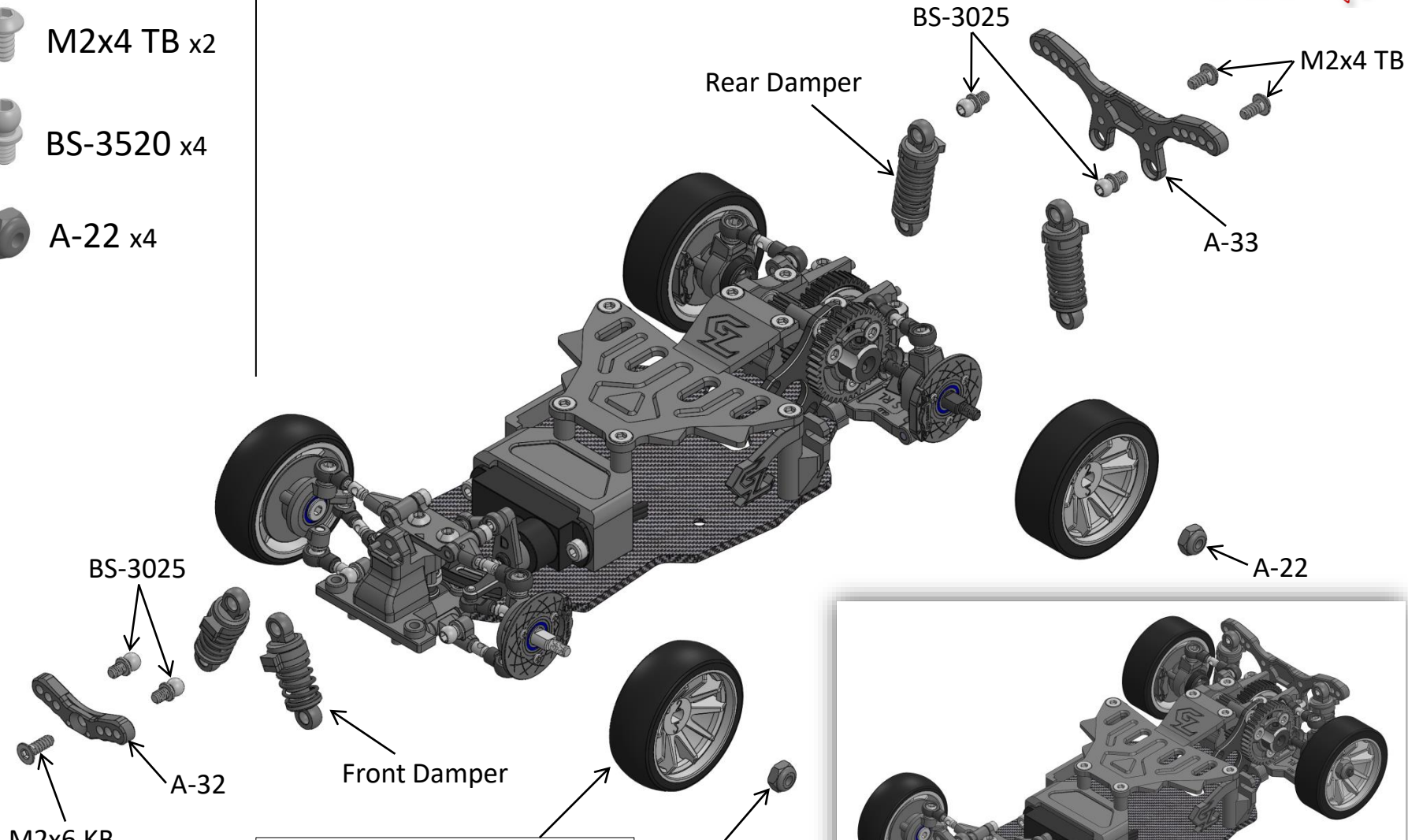
M2x4 KB   M2x4 KB



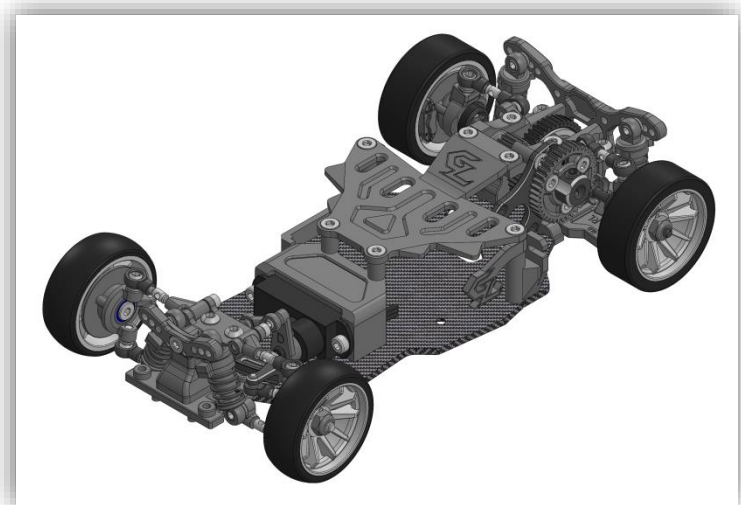
M2x4 KB 

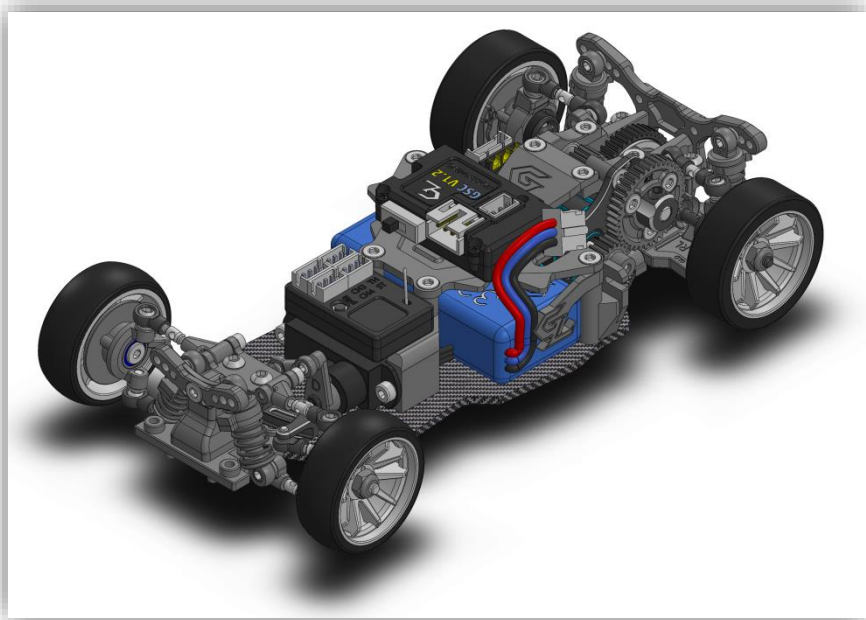


-  M2x4 TB x2
-  BS-3520 x4
-  A-22 x4

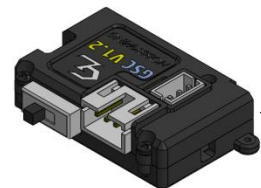


Noted: All the Rims and Tires are not included of the kit set and a need to sale separately.

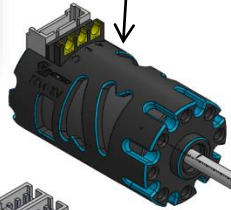




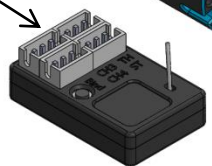
Motor not included
 2500KV/3500KV/4500KV
 5500KV/6800KV/8800KV
 Available at GL Online Shop









GL Mini ESC



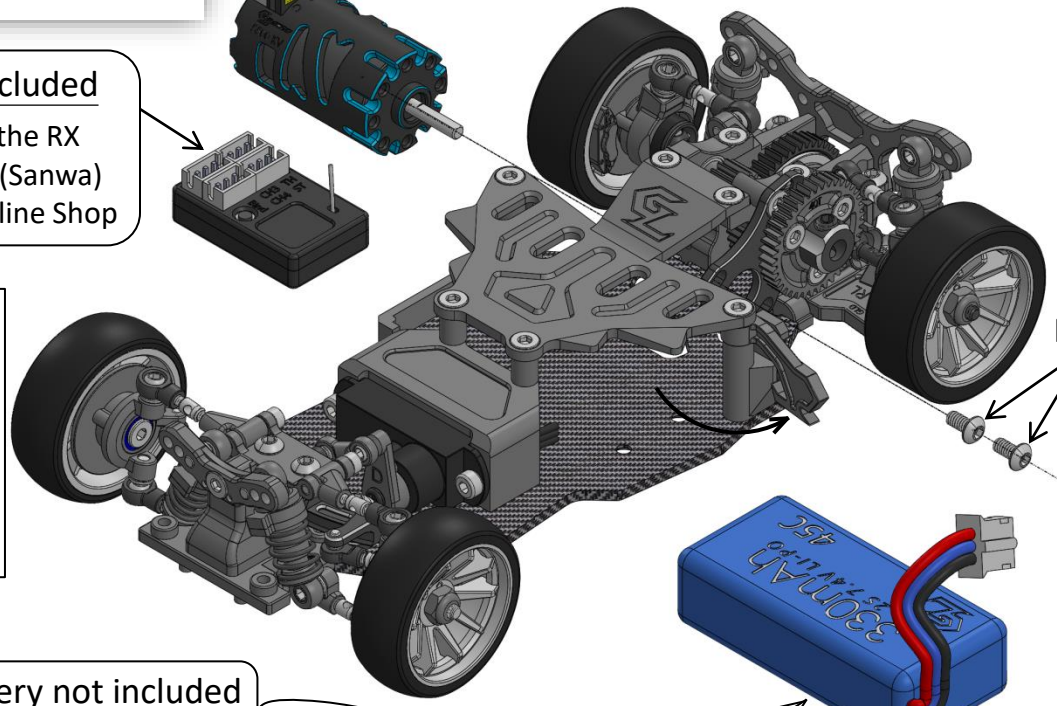
Receiver not included
 Recommended the RX
 Receiver GX-033 (Sanwa)
 Available at GL Online Shop



 M2x4 TM x2

-  16T
-  17T
-  18T
-  19T
-  20T

Tips: Switching the pinion gear may cause of changing the gear ratio for suitable in various tracks layout.

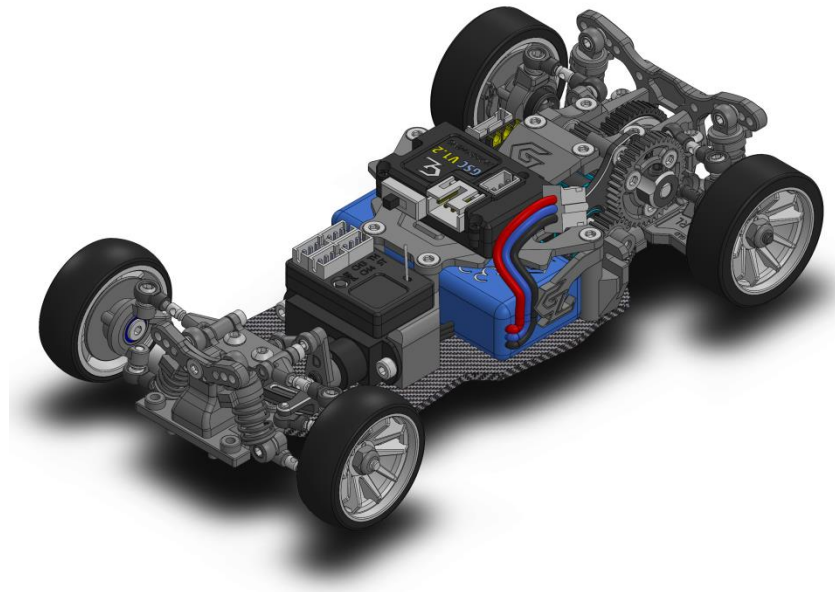


M2x4 TM

17T

Li-Po Battery not included
 Available at GL Online Shop

GLD *vift*



GL Racing Development Team

Designed in Hong Kong

www.gl-racing.com